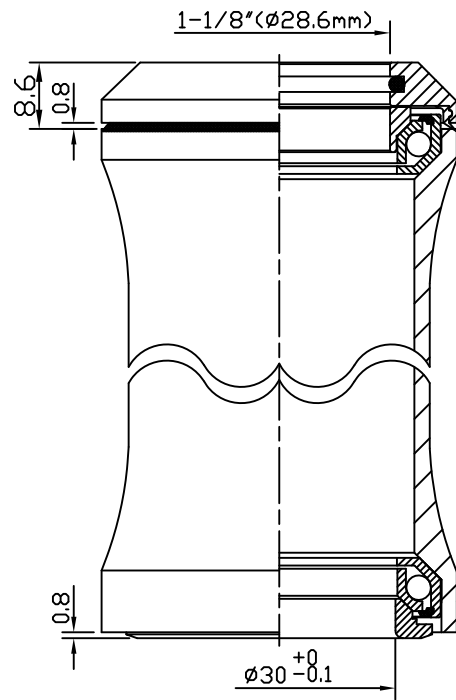


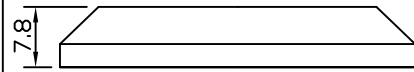
HEAD TUBE(頭管)



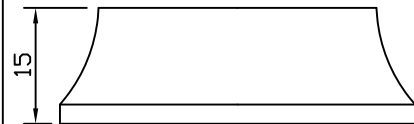
堆積高度(STACK HEIGHT)=9.4±1mm

可選配之上塞高度
(TOP COVER IS OPTIONAL)

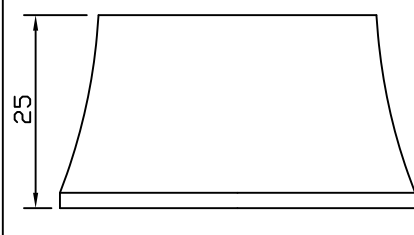
型號(MODEL NO.): H52



型號(MODEL NO.): H52M



型號(MODEL NO.): H52H



NO.	零件名稱 PART NAME	材質 MATERIAL	圖號 DRAWING NO.	台量 Q'TY	尺寸 DIM. DESCRIPTION
1	O形圈 O-RING	橡膠 NBR	120-8	1	ID28.5xø2
2	鋁上塞 TOP COVER	鋁合金 6061/T6	51-3	1	1-1/8"
3	防塵蓋 UPPER WATER SEAL	橡膠 NBR	51-0	1	
4	鋁斜管 COMPRESSION RING	鋁合金 6061/T6	52-2	1	1-1/8"
5	卡式軸承 CARTRIDGE BALL BEARING	鉻鉬鋼 CR-MO STEEL	CBB-418	2	OD41.8x45°x45°
6	下塞 CROWN RACE	碳鋼 STEEL	52-6	1	ø30±0.1

- 與Campagnolo車架相容
- 全隱藏式車頭碗組
- 1-1/8" (28.6mm) 無牙式前叉立管
- 車頭管外徑=46mm [建議值]
- 鋁合金(6061)上塞
- 鐵下塞
- 卡式軸承

- Campagnolo compatible
- Full-integrated headset
- For 1-1/8" threadless steerer
- Headtube OD. = 46mm
- 6061/T6 cnc machined top cover with seals
- Cold-forged steel crown race
- Cartridge ball bearings

單位 UNIT	mm	比例 SCALE	1:1	日期 DRAWING DATE	2004.01.15	角法 VIEW	
型號 ITEM NO.	NECO 52/52M/52H						版次(REV):A
品名 PART NAME	H52/H52M/H52H 組立圖(Assembly drawing)						
規格 DIMENSION	1-1/8" x42x30						
圖號 PART NO.	H52(H52M/H52H)-組立圖-A						

NECO®

誌慶工業股份有限公司